

IMT-SS775 HALL EFFECT SPEED SENSOR



Description

The IMT-SS775 is a robust hall effect sensor for gears. It is protected against automotive environments. It can operate up to 36V and read gears up to 15kHz. Ideally suited to wheels and transmission gear reading and automotive applications.

Features

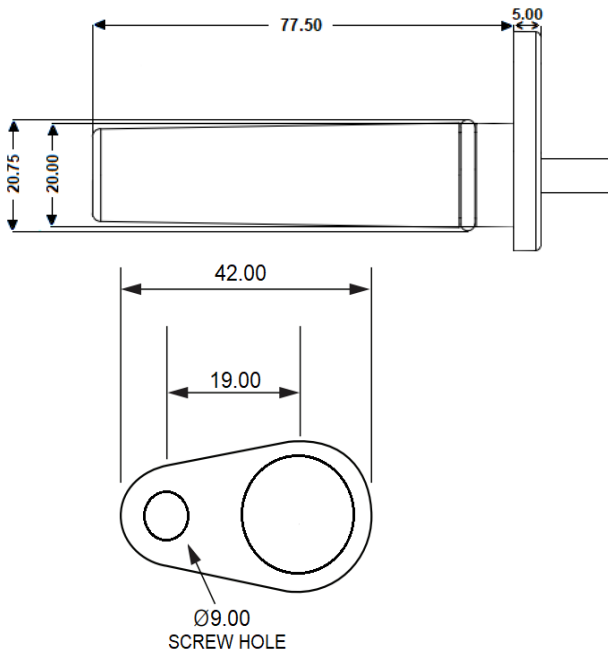
- Ferrous target speed sensing
- Protection against severe and automotive environments
- Short circuit and reverse voltage protection

Applications

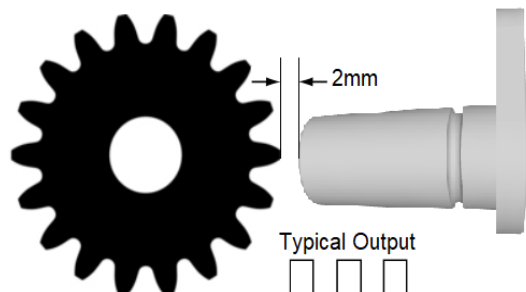
- Wheel, transmission and camshaft speed sensing
- Tractor
- Construction Equipment
- Geartooth sensor
- Industrial
- Automotive

Dimensions

Dimensions in mm.



Application Example





IMT-SS775 HALL EFFECT SPEED SENSOR

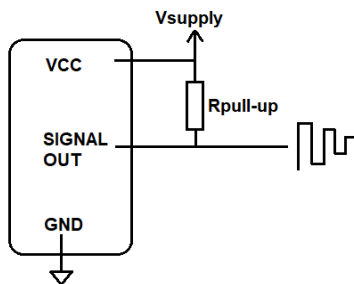
Product Details

Parameter	Unit	Value
Supply Voltage	Vdc	8-32
Switching Speed	kHz	0-14
Sensing Distance	mm	0-2
Sensing Type		Hall Effect
Housing Material		PC
Temperature	°C	-40 / +120
Output Type	Requires pull-up resistor (10k-22k)	Open Drain

Termination



Pull-up Resistor



Cable Length

Can be designed according to OEM request.

Standard size is 100 mm including connector.